

Intel LGA1366 Server

95W



P/N : CLS0005

Application for: Intel Nehalem 95W
LGA1366 2U server



SPECIFICATION	
Compatibility	Intel Nehalem 95W (LGA1366 2U server)
Dimension	(L)90.0 x (W)88.0 x (H)64.0 mm
Fan Dimension	60x25 mm
Heat Sink Material	Aluminum Fin + Copper Base + Heat Pipe
Rated Voltage	12 V
Operating Range	10.8~13.2 V
Rated Current	0.02-0.20 A
Rated Speed	750 ±250 rmp ~ 5500 rpm ± 10%
Air Flow	2.77~27.93 CFM
Static Pressure	0.14~9.54 mmH ₂ O
Noise Level	16~40 dBA
Speed Controlled Type	PWM
Connector	4 Pin
Bearing	FTB
Life expectancy	40,000 Hrs
Weight	390 g
Thermal Interface Material	Dow Corning TC-5121
Thermal Resistance	0.25 °C/W

FEATURES:

- . Aluminum fin and copper base .
- . Spring screw mounting method ensure safe installation when shipping.
- . High density aluminum thin fin: more surface area gives good heat dissipation .
- . PWM Speed controlled.



Top View



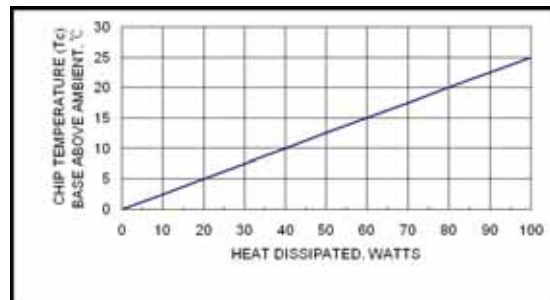
Cu Base



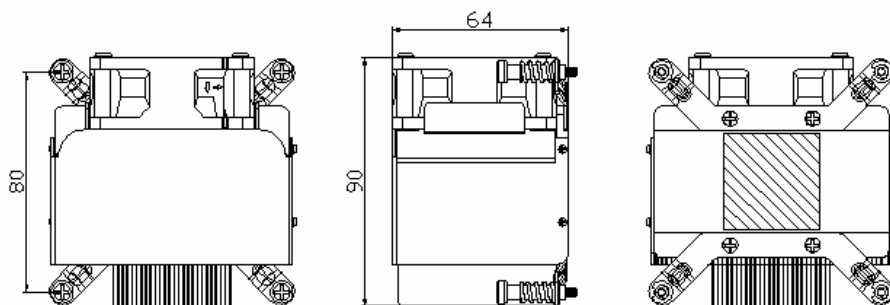
Side View



Spring Screw



DIMENSION



Unit: mm